



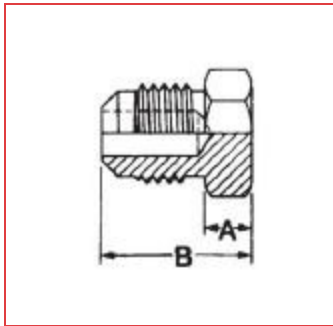
Mueller Streamline Co. Headquarters

150 Schilling Blvd
Suite 201
Collierville, Tennessee 38017
United States
Phone: 901 753 3200

Mueller Streamline Co. International

525 Okeechobee Blvd
Suite 860
West Palm Beach, FL 33401
United States
Phone: 561 273 8300

ITEM # A 04757, 45° FLARE FITTINGS - FLARE PLUG



[Specifications](#) | [Dimensions](#) | [Packaging](#)

Specifications

Universal Category Code	P2-12
Connection Size	3/4 in
End Type	Flare
MAP	48 bar 700 psi
Weight	0.225 lb

Dimensions

A	0.31 in
B	1.31 in

Hex

1 1/16 in

Packaging

Box Qty

10